

## 1. Scope

Damping reactor are used particularly for limiting the inrush currents occurring during the switching of capacitor on A.C. networks. They are connected in series with the capacitors.

## 2. Standard

: IEC 60289-1988

## 3. Service Conditions

Ambient temperature : -20 ~ +40°C., Average 35°C  
 Type : Dry-Type  
 Installation : Indoor installation  
 Insulation class : H (180 °C)  
 Cooling method : AN (air-natural)

## 4. Ratings

Number of phase : Single phase  
 System voltage : 6600V  
 Rated frequency : 50Hz  
 Rated inductance : 1.179mH ( $X_L / X_C = 0.5\%$ )  
 Permissible output tolerance : -0 / +20%  
 Rated current : 51.71A  
 Rated continuous current : 64.64A (125% of rated current)  
 Reactor voltage : 19.15V  
 Rated capacity of Reactor : 990.4VAR  
 Spec. of capacitor bank : 700KVAR @ 7200V  
 Generated output capacity : 591.15KVAR @ 6600V  
 Rated inrush current on capacitor bank : 1.029KA @ 6600V  
 Rated short-time current (Max. 2Sec.) : 25 Times of rated current  
 Maximum temperature rise of winding : 125°C (125% of rated current)

## 5. Tests

Measurement of winding resistance  
 Measurement of inductance  
 Measurement of loss  
 Measurement of quality factors at fundamental frequency  
 Insulation resistance test  
 Hi-pot test  
 Temperature-rise test (type test)

## 6. Dimension and weight

Dimension : See figure 1 (scale millimeter)  
 Size of terminals bolt : M10  
 Weight : 22 kg  
 Distance between exterior of reactor and metal item : Min. 130mm

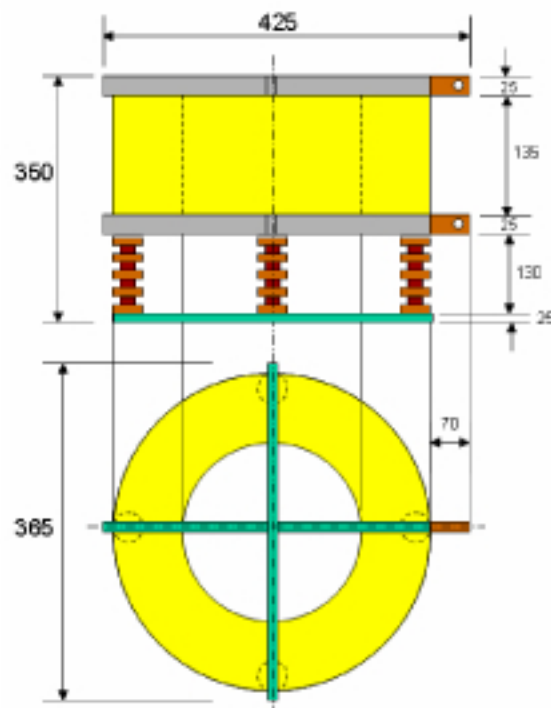


Fig. 1