



DC Choke

1000 Volts DC , Filters 300Hz Ripple Current

Economical, Versatile Power Quality Solutions For Variable Speed Drives & Inverters

Rated Power		Rated Current	Rated Inductance	Dimension (mm)					App. Weight	Fig. No.
Max. 660Vdc				W	D	H	WF	DF		
(KW)	(HP)	(A dc)	(mH)							
0.75	1	2.5	30	76	102	100	63.5	61	2.0	1
1.5	2	4.0	16	96	100	116	80	60	2.5	1
2.2	3	5.5	12	96	100	116	80	60	2.5	1
3.7 , 4	5 , 5.5	9.0	7	96	125	116	80	88	4.0	1
5.5	7.5	13	4	114	125	132	95	71	4.0	1
7.5	10	18	3.50	114	150	137	95	93	6.0	1
11	15	25	2.20	114	155	137	95	113	7.0	1
15	20	34	1.80	133	170	152	111	128	10.5	1
18.5	25	41	1.40	133	175	115	111	128	11.0	2
22	30	49	1.20	152	170	129	127	132	13.5	2
30	40	71	0.86	190	165	163	159	112	15.5	2
37	50	88	0.70	190	175	163	159	122	17.5	2
45	60	107	0.58	190	175	163	159	128	19.5	2
55	75	131	0.47	190	200	163	159	142	22.5	2

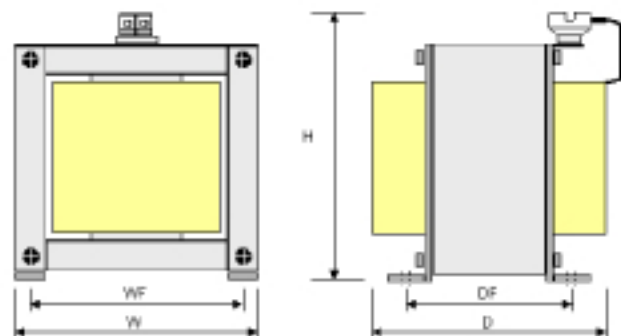


Fig. 1

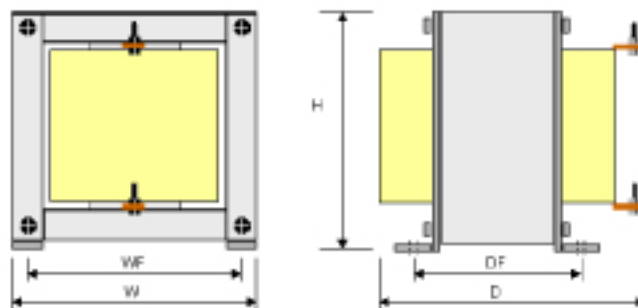


Fig. 2